

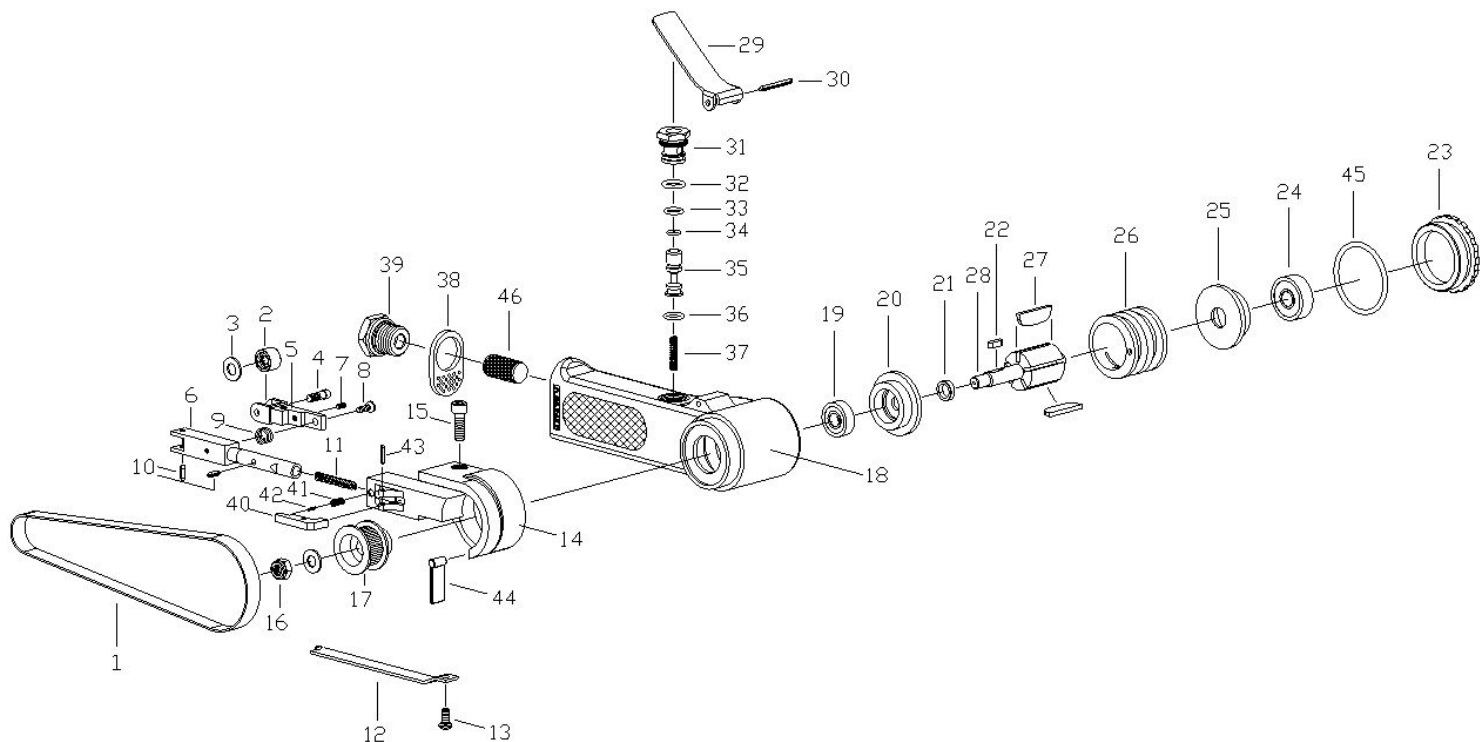


meccanocar

# Levigratrice a nastro Beltsander 12 mm

**Modello**  
418.00.07200.569

**Serie**  
D



Pos.	Description	Bezeichnung	Pos.	Description	Bezeichnung
07200d-01	Grinding Belt/Acc.-Nastro/Acc.:847045/63	Schleifband/Zubehör:847045/63	07200d-31	Valve Body incl. part 32-37/Corpo valvola compr. #32-37	Ventil komplett inkl. T. 32-37
07200d-02	Idle Pulley 10 Sub Assy/Sub assemb. Puleggia	Umlenkrolle	07200d-32	O-Ring	O-Ring
07200d-03	Washer/Rondella	Scheibe	07200d-33	O-Ring	O-Ring
07200d-04	Idle Pulley Shaft 10/Albero puleggia	Rollenachse	07200d-34	O-Ring	O-Ring
07200d-05	Bracket 10/Staffa	Haltekörper	07200d-35	Valve Stem/Asta valvola	Ventilstange
07200d-06	Tension Bar/Tensionatore	Spannwelle	07200d-36	O-Ring	O-Ring
07200d-07	Hexagon Socket Set Screw/Vite M3 x 6	Schraube M 3 x 6	07200d-37	Valve Spring/Molla valvola	Ventilfeder
07200d-08	Croo-Recessed Machine Screw/Vite brugola M3 x 8	Schraube M 3 x 8	07200d-38	Deflector/Deflettore	Luftauslaß
07200d-09	Spring/Molla	Feder 1.0 x 7.2 x 6.5	07200d-39	Air Inlet/Attacco aria	Lufteinlaß
07200d-10	Spring Pin/Molla elastica 3 x 10	Spannstift 3 x 10	07200d-40	Tension Bar/Tensionatore	Feststeller
07200d-11	Spring/Molla	Feder 1.07 x 4.0 x 35.5	07200d-41	Spring/Molla	Feder
07200d-12	Schoe/Scarpa 10	Schutzblech	07200d-42	Lever Pin/Spina	Stift
07200d-13	Machine Screw/Vite M4 x 8	Schraube M 4 x 8	07200d-43	Lever Pin/Spina	Spannstift
07200d-14	Guard Sub Assy A/Sotto ass. puleggia A	Schleifkörpergehäuse	07200d-44	Dust Cover/Coperchio polvere	Staubabdeckung
07200d-15	Hexagon Socket Head Bolt/Bullone M 5 x 12	Schraube M 5 x 12	07200d-tk	Tune up kit/Kit messa a punto	Wartungsset 27,31(32,33,34
07200d-16	Nut hexagon/Dado M 6	Mutter M 6			
07200d-17	Drive Pulley/Puleggia	Antriebsrolle			
07200d-18	Housing/Cassa	Gehäuse			
07200d-19	Ball Bearing/Cuscinetto a sfera	Kugellager 626ZZ			
07200d-20	End Plate/Piastra B	Motorendplatte B			
07200d-21	Spacer/Distanziale	Distanzring 8 x 11 x 3			
07200d-22	Sunk Key/Chiavetta	Paßfeder 3 x 3 x 10			
07200d-23	Cap/Coperchio	Deckel			
07200d-24	Ball Bearing/Cuscinetto a sfere	Kugellager			
07200d-25	End Plate/Piastra A	Motorendplatte A			
07200d-26	Cylinder/Cilindro	Zylinder			
07200d-27	Blade Assy/Paletta	Lamelle			
07200d-28	Rotor/Rotore	Rotor			
07200d-29	Throttle Lever/Leva immissione	Betätigungshebel			
07200d-30	Lever Pin/Spina	Spannstift			

Quando ordinate ricambi indicare sempre il numero di posizione e la descrizione !  
Bei Ersatzteilbestellungen bitte Positions-Nr. und Beschreibung angeben!

By Spare parts orders pls. indicate Position-no. and Description